

TDS TECHNICAL DATA SHEET

EARTH
Recess Down light



Description:

Indoor recessed mounting Circular Down light with aluminium anodized specular finish faceted main reflector and turbo louver optics suitable for horizontally mounted single / twin 18 W CFL Lamp.



Technical Specification:

Frame: Pretreated CRCA MS with epoxy powder coated finish.

Reflector : Aluminium anodized bright finish main reflector and turbo louver optics.

Mounting Clips : 3 nos. spring steel retaining clips for positioning in false ceiling.

Internal Wiring: PVC insulated single strand copper conductor.

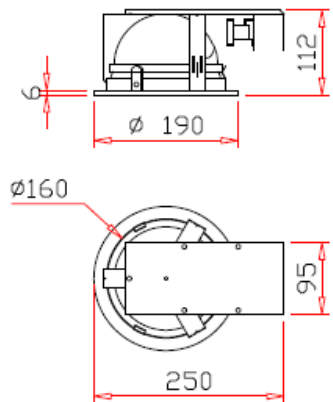
Gear Tray :Pre-treated CRCA with epoxy powder coated finish.

Mains Terminal: 10 amps. suitable for terminating 2.5 sq.mm. Conductor.

Hardware: MS, Zinc plated & passivated.

Earthing: 1 No. inside, suitable for 2.5 sq. mm. conductor.

Ballast: Option available for both Electro Magnetic Ballast (EMB) & Electronic Ballast (EB).



Cut Out Dia. 170 mm.

Nominal Dimensions in mm, Tolerance +/-2mm

Range:

CAT.REF:	Lamp	Voltage	Ballast	Capacitor	Mains current	Power factor	Approx Wt (Kg)
SDLHR 118 CF TR	1x18 CFL	240V	EMB	NA	0.22 A	>0.50	0.87
SDLHR 118 CF TR EB1/P0	1x18 CFL	240V	EB	NA	0.09 A	>0.90	0.63
SDLHR 218 CF TR	2x18 CFL	240V	EMB	NA	0.44 A	>0.50	1.17
SDLHR 218 CF TR EB2/P0	2x18 CFL	240V	EB	NA	0.18 A	>0.90	0.68

Installation:

- Suitable for cut out Dia. 170 mm in ceiling.
- Three nos. spring Steel clips provided for mounting in ceiling.

Application:

Offices, Hotels, Software parks, Hospitals, Conference rooms etc.



DRAWN AA DRG.NO : TD 03-006-A

CHECKED SM REV. NO: 1

APPROVED SC DATE: 27.03.2009

Luminaire Business Group

Surya Roshni Ltd, Padma Tower-I, Rajendra Place, New Delhi-110008

As improvement in design & method of manufacturing is a continuous process, the product supplied may differ in detail from the data given here.