

TDS TECHNICAL DATA SHEET

MOONLIGHT
Recess Down light



Description:

Indoor recessed mounting Circular Down light with aluminium anodized specular finish faceted reflector suitable for vertically mounted single 13 W/18W CFL Lamp.



Technical Specification:

Frame: Pretreated CRCA MS with epoxy powder coated finish.

Reflector : Anodized aluminium in specular finish.

Mounting Clips : 3 nos. spring steel retaining clips for positioning in false ceiling.

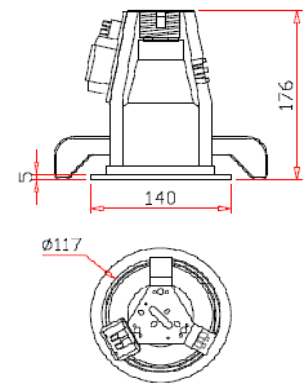
Internal Wiring: PVC insulated single strand copper conductor.

Mains Terminal: 10 amps. suitable for terminating 2.5 sq.mm. conductor.

Hardware: M.S Zinc plated & passivated.

Earthing: 1 No. inside, suitable for 2.5 sq. mm conductor.

Ballast: Option available for both Electro Magnetic Ballast (EMB) & Electronic Ballast (EB).



Cut Out Dia. 170 mm

Nominal Dimensions in mm, Tolerance +/-2 mm

Range:

CAT.REF:	Lamp	Voltage	Ballast	Capacitor	Mains current	Power factor	Approx Wt(Kg).
SDLVR 113 CF SF	1x13 CFL	240V	EMB	NA	0.17 A	>0.50	0.56
SDLVR 113 CF SF EB1 /PO	1x13 CFL	240V	EB	NA	0.065 A	>0.90	0.35
SDLVR 118 CF SF	1x18 CFL	240V	EMB	NA	0.22 A	>0.50	0.56
SDLVR 118 CF SF EB1 /PO	1x18 CFL	240V	EB	NA	0.09 A	>0.90	0.35

Installation:

- Suitable for cut out Dia. 115 mm in ceiling.
- Three nos. spring steel clips provided for mounting in ceiling.

Application:

Offices, Hotels, Software parks, hospitals
Conference rooms etc.



DRAWN	SM	DRG.NO :	TD 03-001
CHECKED	SM	REV. NO:	1
APPROVED	SC	DATE:	27.03.2009
Luminaire Business Group			
Surya Roshni Ltd, Padma Tower-I, Rajendra Place, New Delhi-110008			

As improvement in design & method of manufacturing is a continuous process, the product supplied may differ in detail the data given here.